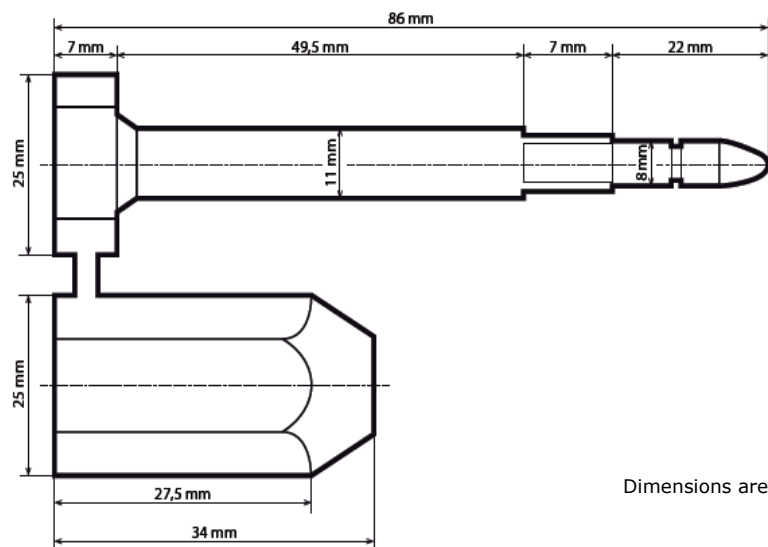


PRODUCT SHEET

Bolt seal

ES 99

Type of seal	metal	
Security level	High Security Seal	
Certifications	in conformity with the requirements of ISO/PAS 17712 and C-TPAT	
Pin material	galvanized low carbon steel coated by plast	
Cylinder material	steel coated by plast	
Method of application	manual, no tools needed	
Method of removal	large bolt cutters	
Technology of marking	laser engraving	
Marking	Text	YES
	Logo	YES
	Numbering	YES
	Bar code	YES
Color	white, yellow	
Packing	10 pcs in transparent case, 100 pcs in carton, carton weight 8 kg	
Use	Sealing of freight containers.	



Dimensions are given in mm